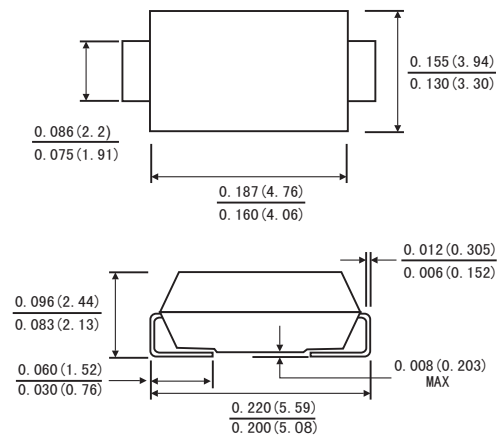


FEATURES

- Plastic package has Underwriters Laboratory Flammability Classification 94V-0
- Metal silicon junction ,majority carrier conduction
- For surface mount applications
- Low power loss ,high efficiency
- High current capability ,Low forward voltage drop
- Low profile package
- built-in strain relief ,ideal for automated placement
- For use in low voltage ,high frequency inverters, free wheeling ,and polarity protection applications
- High temperature soldering guaranteed:260°C/10 seconds at terminals
- Component in accordance to RoHS 2011/65/EU



SMB(DO-214AA)



MECHANICAL DATA

- Case: JEDEC SMB(DO-214AA) molded plastic body
- Terminals: solder plated ,solderable per MIL-STD-750,method 2026
- Polarity: color band denotes cathode end
- Weight: 0.003ounce,0.093 gram

MAXIMUM RATINGS AND ELECTRICAL CHARACTERISTICS

(Ratings at 25°C ambient temperature unless otherwise specified ,Single phase ,half wave ,resistive or inductive load. For capacitive load,derate by 20%.)

	Symbols	SS 32	SS 33	SS 34	SS 36	SS 310	SS 315	SS 320	Units
Maximum repetitive peak reverse voltage	V _{RRM}	20	30	40	60	100	150	200	Volts
Maximum RMS voltage	V _{RMS}	14	21	28	42	70	105	140	Volts
Maximum DC blocking voltage	V _{DC}	20	30	40	60	100	150	200	Volts
Maximum average forward rectified current (See Fig.1)	I(AV)	3.0							Amps
Peak forward surge current 8.3ms single half sine-wave superimposed on rated load (JEDEC method)	I _{FSM}	80.0							Amps
Maximum instantaneous forward voltage at 3.0 A(Note 1)	V _F	0.55		0.70	0.85	0.90	0.95	Volts	
Maximum instantaneous reverse current at rated DC blocking voltage(Note 1)	T _a =25°C	100				20			μA
	T _a =100°C	5				-			mA
	T _a =125°C	-				3			
Typical junction capacitance(Note 3)	C _J	250				160			Pf
Typical thermal resistance (Note 2)	R _{θJA}	70.0							°C/W
	R _{θJL}	25.0							
Operating junction temperature range	T _J	-65 to+150							°C
Storage temperature range	T _{STG}	-65 to+150							°C

Notes: 1. Pulse test: 300 μs pulse width, 1% duty cycle

2. P.C.B. mounted 0.55 X 0.55"(14 X 14mm)copper pad areas
3. Measured at 1MHz and reverse voltage of 4.0volts

RATINGS AND CHARACTERISTIC CURVES SS32 THRU SS320

FIG.1-FORWARD CURRENT DERATING CURVE

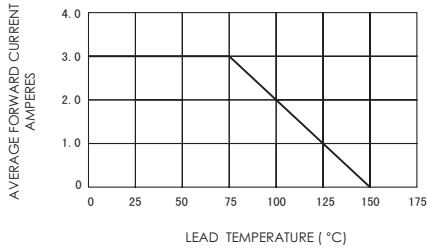


FIG.2-MAXIMUM NON-REPETITIVE PEAK FORWARD SURGE CURRENT

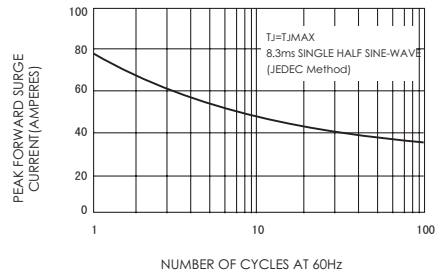


FIG.3-TYPICAL INSTANTANEOUS FORWARD CHARACTERISTICS

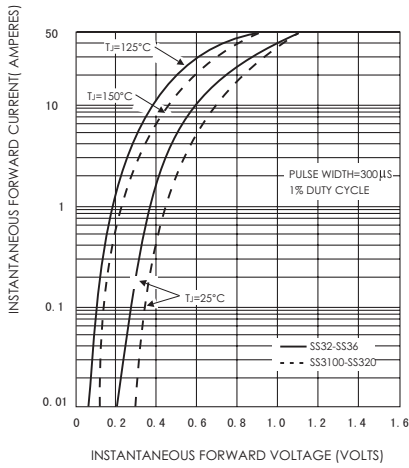


FIG.4-TYPICAL REVERSE CHARACTERISTICS

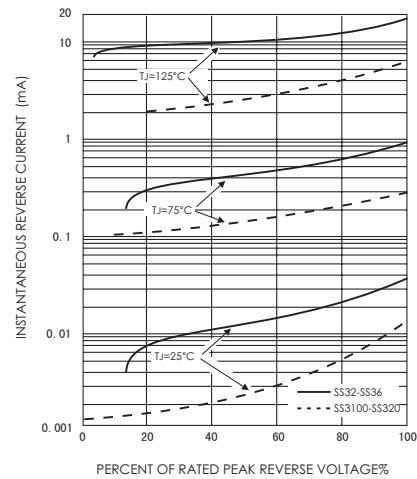


FIG.5-TYPICAL JUNCTION CAPACITANCE

